

Secured Apartment Depository

Developed specifically for large apartment housing campuses and buildings, the RentVault™ is a convenient place for your renters and lessee's to drop off monthly rent checks and cash, with the most built in security features of any after hours drop box on the market today. The RentVault™ with triple anti-fish baffles has been frustrating thieves and robbers for years. With real world input from our customers, we are working to help you prevent loss and make life difficult for anyone interested in making an illegal withdrawal from your business.

High Security Built-in Theft Protection ADA Compliant

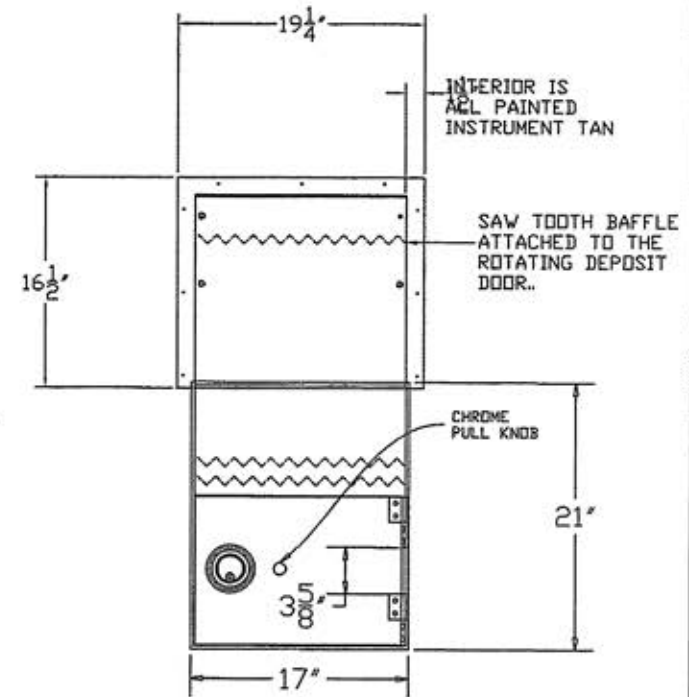
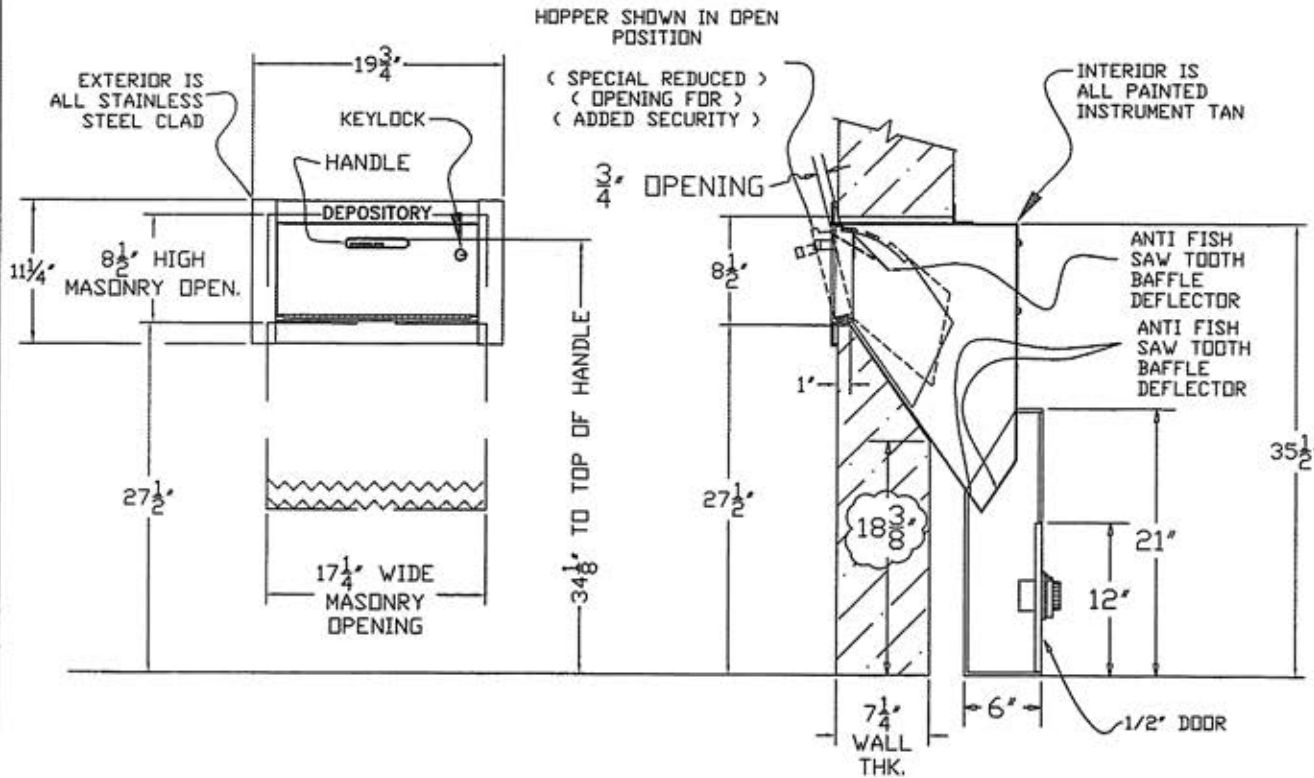


- Provides high security with an anti-tampering design to protect rent checks, money orders and cash deposits
- Triple Anti-fish baffles!
- Can be customized with any faceplate message
- Access can be limited with a key lock feature
- Low maintenance Stainless-steel face & drop chute
- Reduced Opening Improves Security
- B-Rated Security Locker for drop chute (optional)

A Time Saver for our customers... a nightmare for thieves.



REVISION # 1	
REVISION # 2	
REVISION # 3	



INTERIOR ELEVATION

EQUIPMENT

- 1.) DB-145 DROP BOX DEPOSITORY-CUSTOM
- 2.) ONE FOOT OF CHUTE
- 3.) 12'H x 17"W x 6"D LOCKER WITH COMBINATION LOCK
- 4.) COLOR : INSTRUMENT TAN
- 5.) REDUCE HEAD OPENING, ADDED ADDITIONAL SAW TOOTH BAFFLES..

K.L. Security Enterprises, Inc.
An ISO9001:2008 Certified Company

RentVault

Ph. 765.463.7972 | www.klsecurity.com

DRAWING NUMBER : 195000

SHEET : 1of1

HAMILTON SAFE