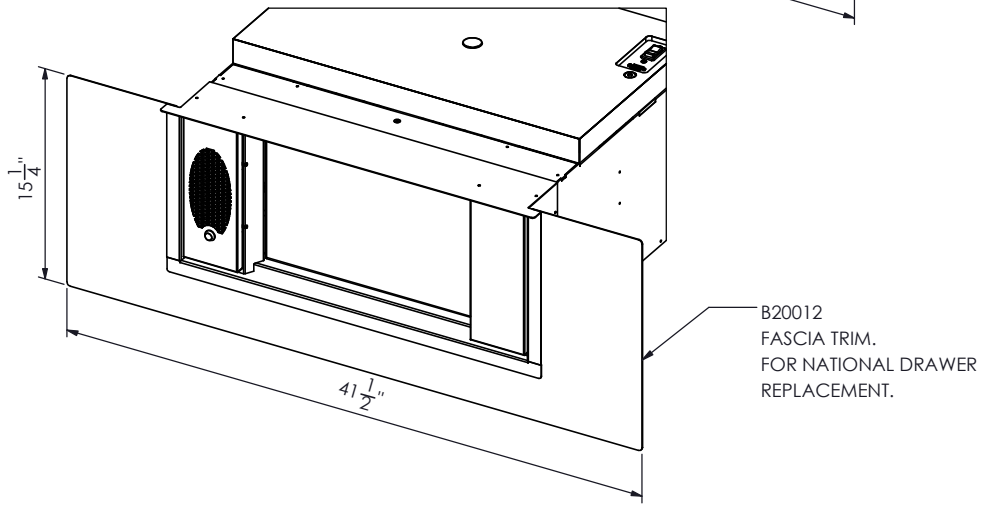
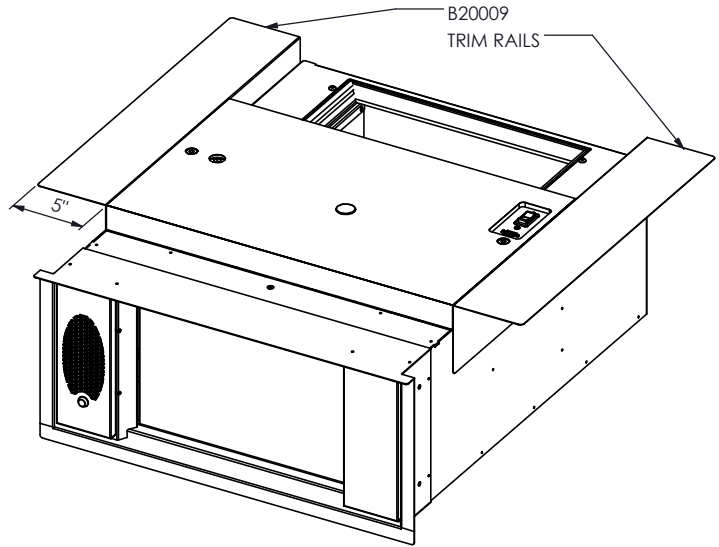
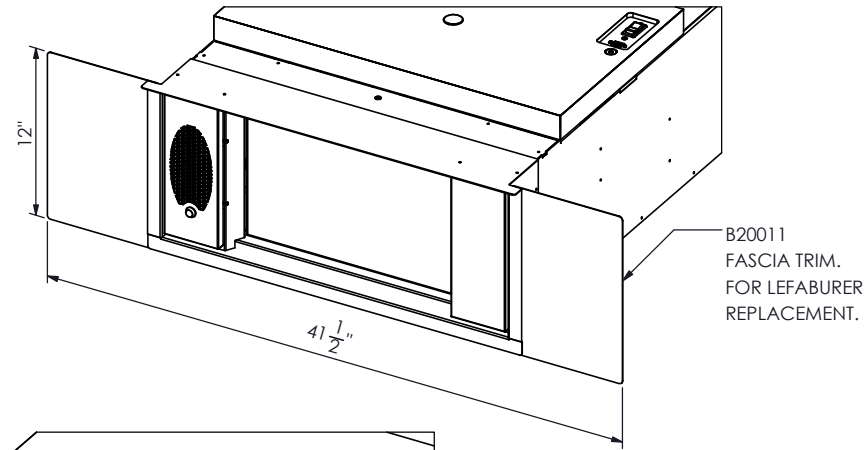
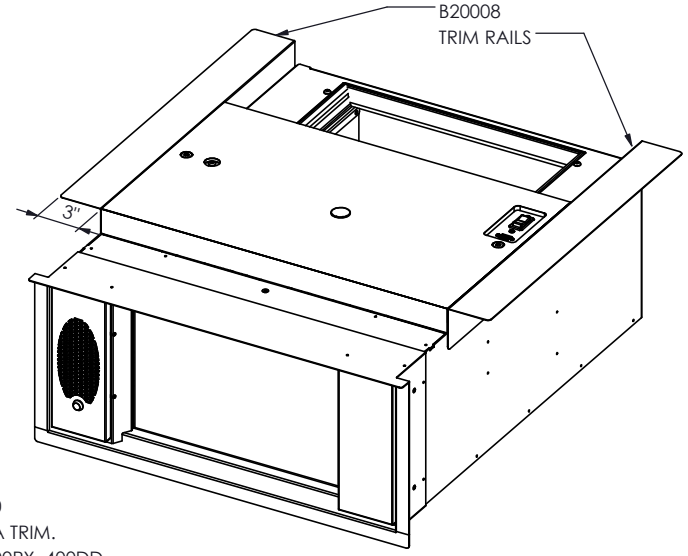
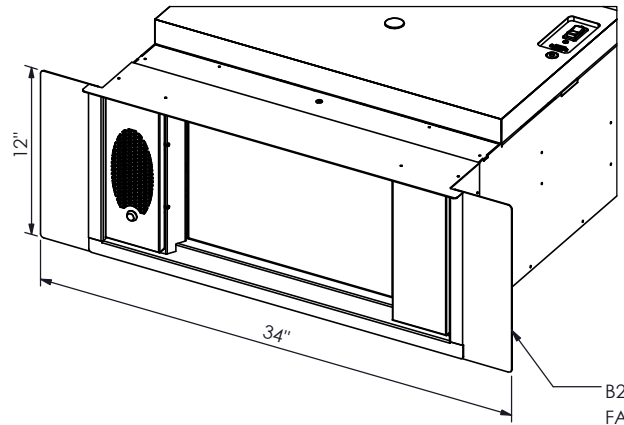
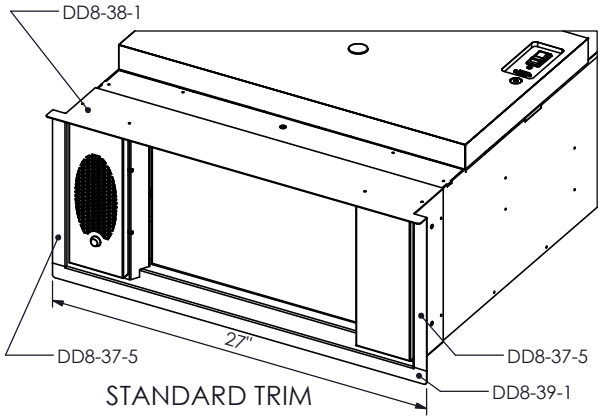
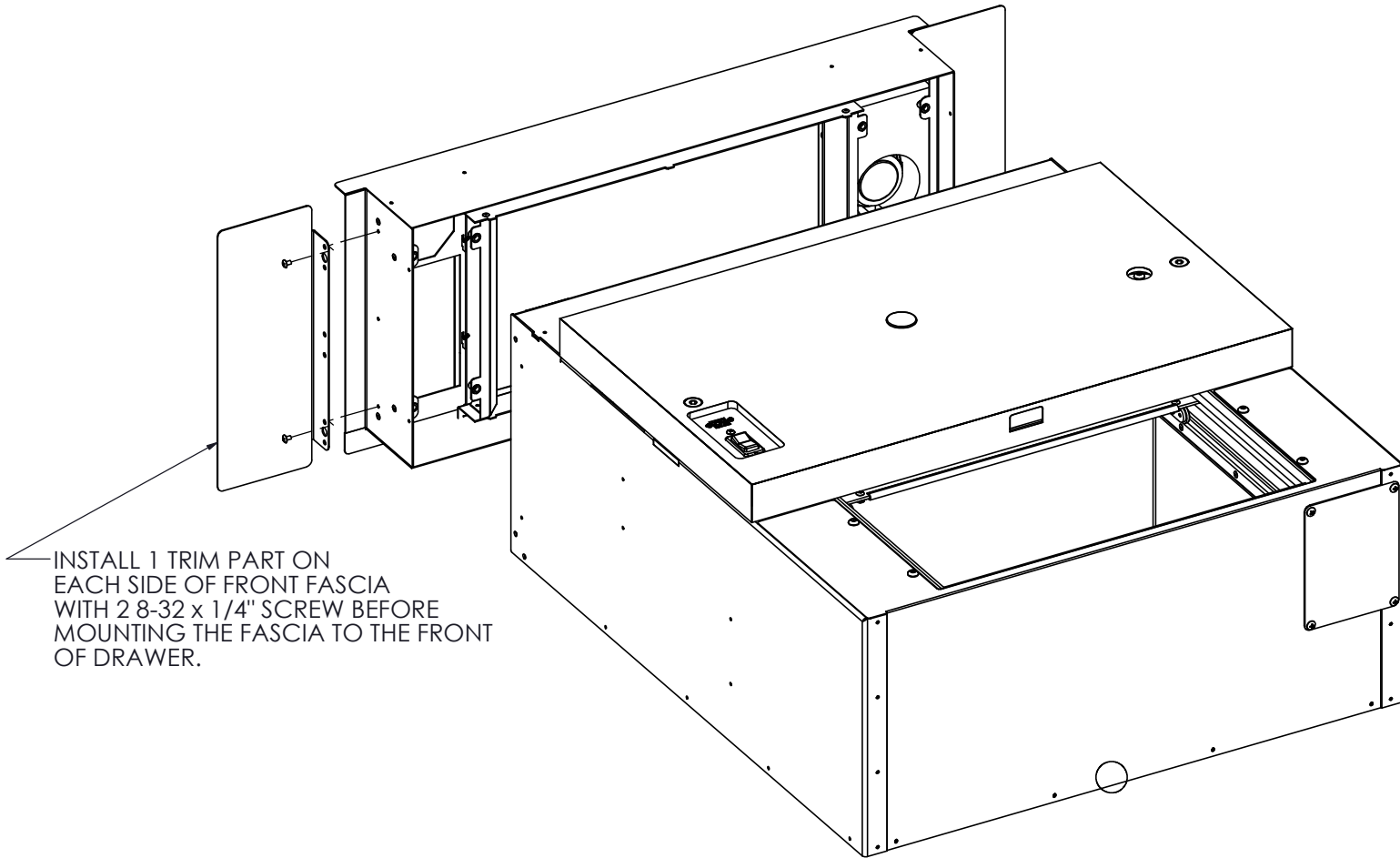


SLCD TRIM OPTIONS.



HAMILTON BY GUNNEBO®	PROPRIETARY AND CONFIDENTIAL THESE DRAWINGS ARE THE PROPERTY OF HAMILTON AND SHALL NOT BE REPRODUCED, COPIED, USED AS THE BASIS FOR MANUFACTURE OR SALE OF APPARATUS WITHOUT PERMISSION	DESCRIPTION SLCD TRIM OPTION-PAGE 1 OF 2
	DRAWING/MODEL NUMBER 08-429/SLCD DRAWERS	DATE 6/20/2024

SLCD TRIM OPTIONS MOUNTING.



HAMILTON BY GUNNEBO	<small>PROPRIETARY AND CONFIDENTIAL THESE DRAWINGS ARE THE PROPERTY OF HAMILTON AND SHALL NOT BE REPRODUCED, COPIED, USED AS THE BASIS FOR MANUFACTURE OR SALE OF APPARATUS WITHOUT PERMISSION</small>	DESCRIPTION	
		SLCD TRIM OPTION MOUNTING-PAGE 2 OF 2	
	DRAWING/MODEL NUMBER 08-429/SLCD DRAWERS	DATE	6/20/2024