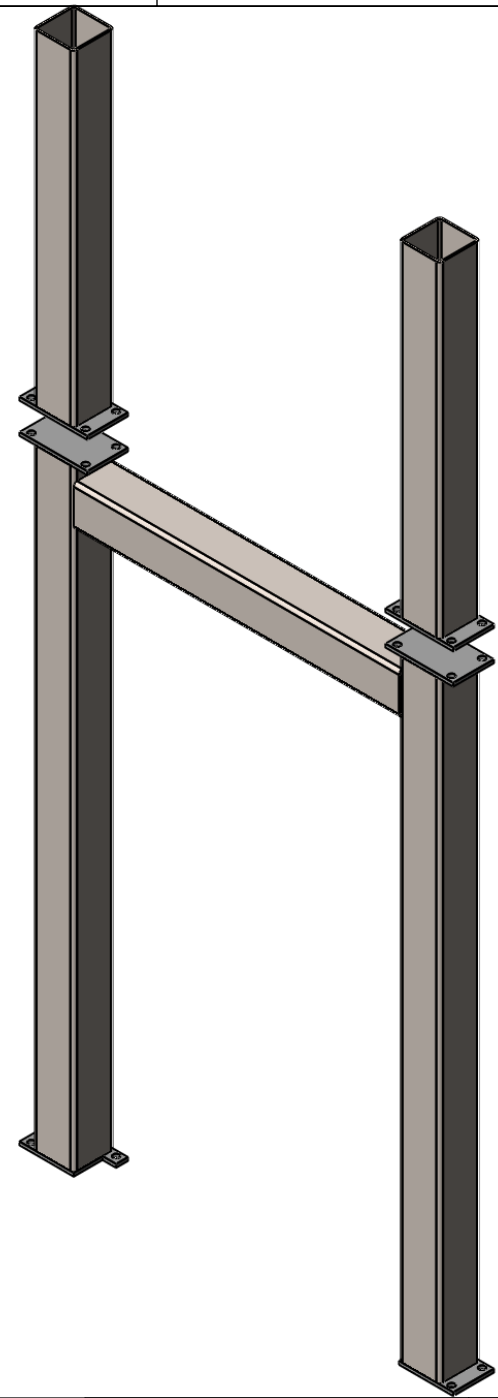


ORDER ADDITIONAL
SITE SPECIFIC LENGHTS
TO BOLT ON AND ATTACH
TO ROOF OR EXISTING
CEILING STRUCTURE
FOR SUPPORT

TYPICALLY 6" X 6" X 1/4" WALL
SQUARE TUBE WITH 1/2" PLATE
WELDED TO EACH END FOR
ATTACHMENT TO THE CONCRETE
AND EXTENSIONS



est. 1967 HAMILTON CUSTOM MADE SECURITY	PROPRIETARY AND CONFIDENTIAL THESE DRAWINGS ARE THE PROPERTY OF HAMILTON SAFE CO. AND SHALL NOT BE REPRODUCED, COPIED, USED AS THE BASIS FOR MANUFACTURE OR SALE OF APPARATUS WITHOUT PERMISSION		TITLE Class 5 Door Buck	
	DRAWN BY TS		PART NUMBER 20-130	
DATE 6/23/2020		CHECKED BY DATE		REVISION