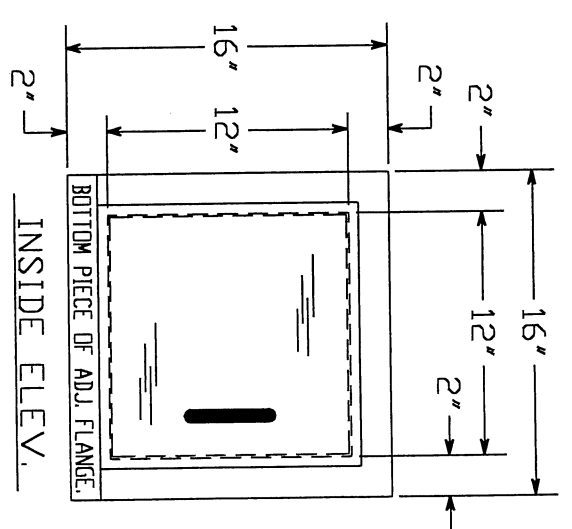
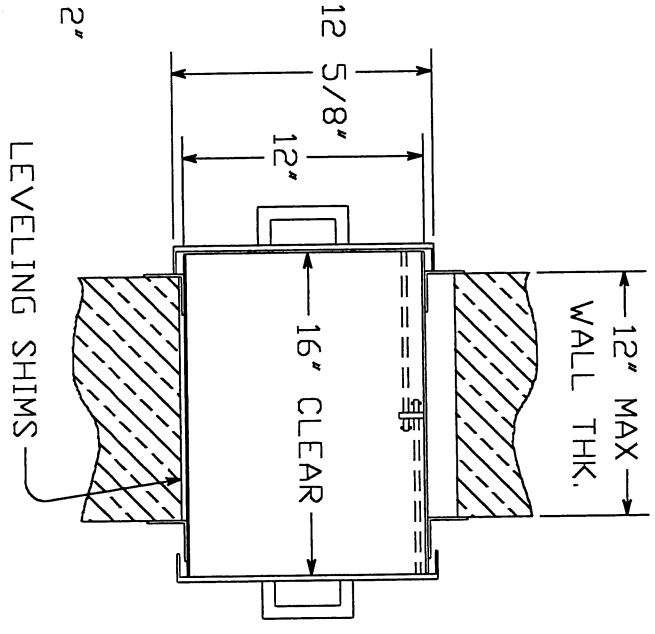
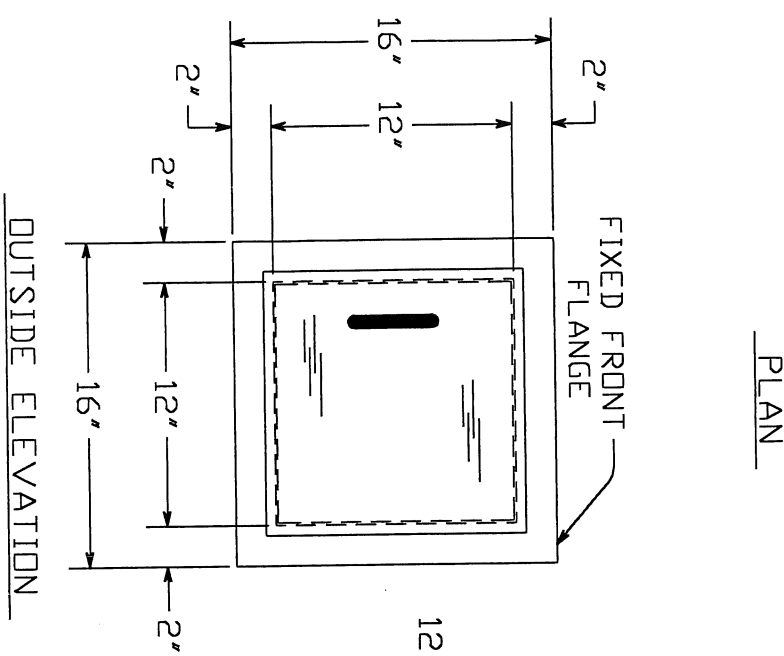
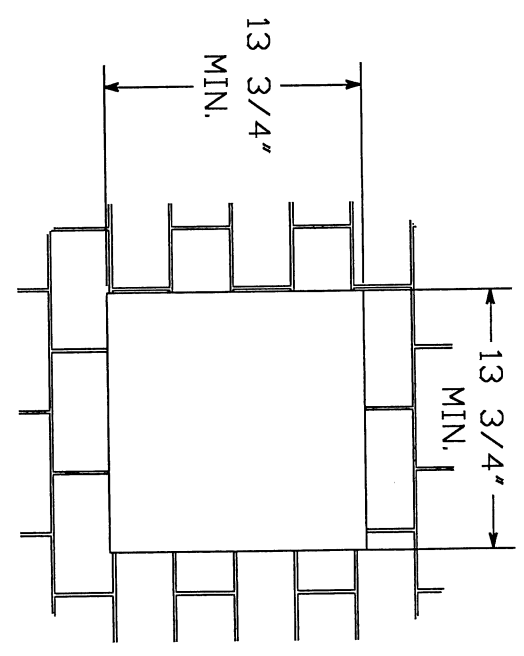
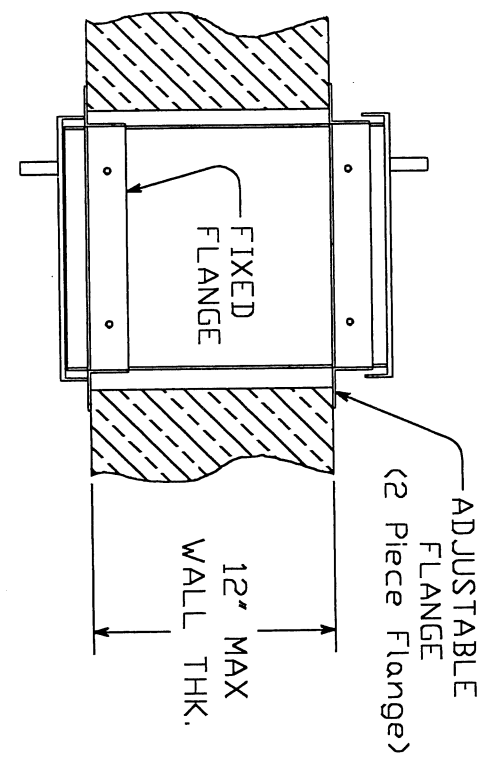


Rev - 1	3-1-93 INI	J.D. M.D.
Rev - 2		



HAMILTON SAFE
 PACKAGE RECEIVER
 MODEL PRS-1
 12"H x 12"W x 16"L CLEAR OPENING
 Drawing Number : 92-580
 Date : 4-6-92