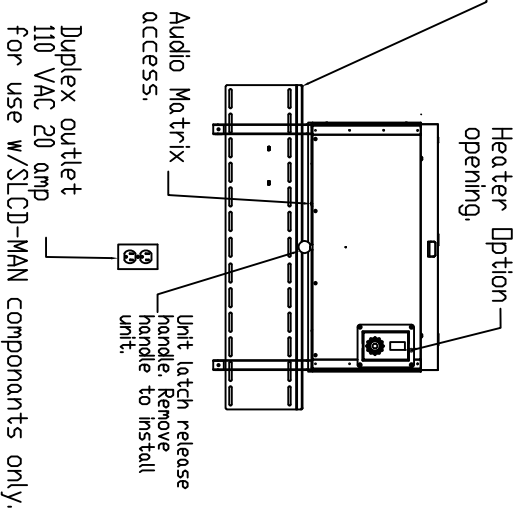
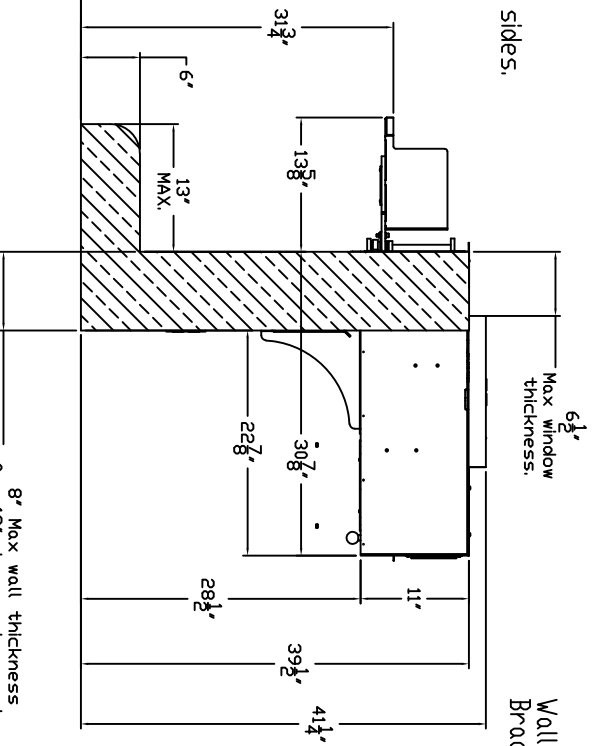
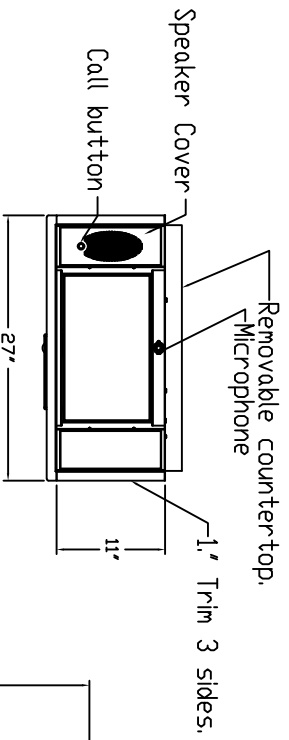
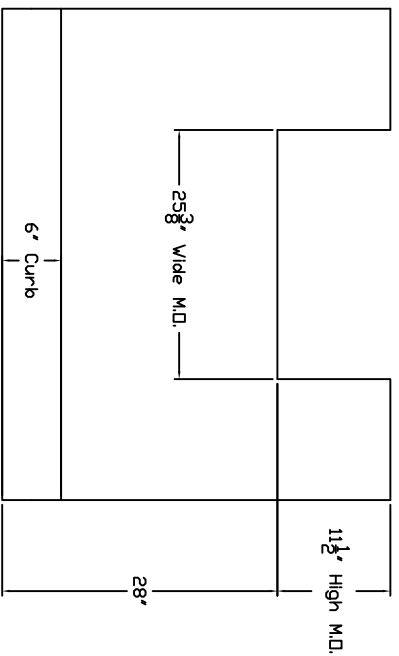


Max Payload size is roughly 15-3/8" W x 6-1/2" H x 8-1/8" D.



Exterior Elevation View

Section View

Interior Elevation View

<h1>HAMILTON</h1> <p>BY GUNNEBO</p>	PROPRIETARY AND CONFIDENTIAL THESE DRAWINGS ARE THE PROPERTY OF HAMILTON AND SHALL NOT BE REPRODUCED/COPYED/USED AS THE BASIS FOR MANUFACTURE OR SALE OF APPARATUS WITHOUT PERMISSION	DESCRIPTION College Hill Secure Large Commercial Drawer Motorized
	DRAWING/MODEL NUMBER 24-115 / SCLD-MDT	DATE 7/10/2024