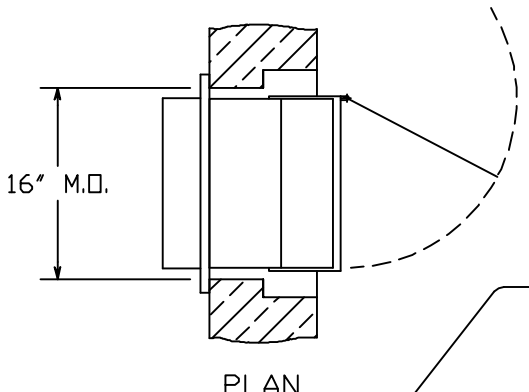
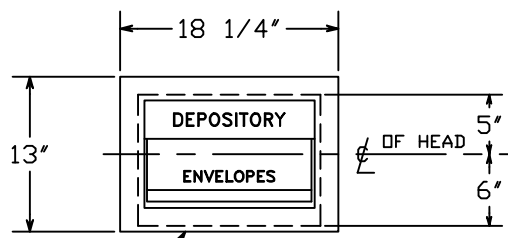


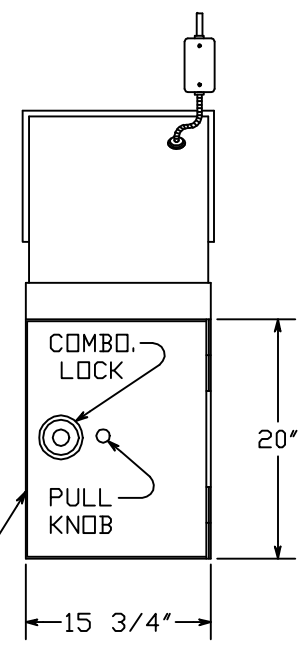
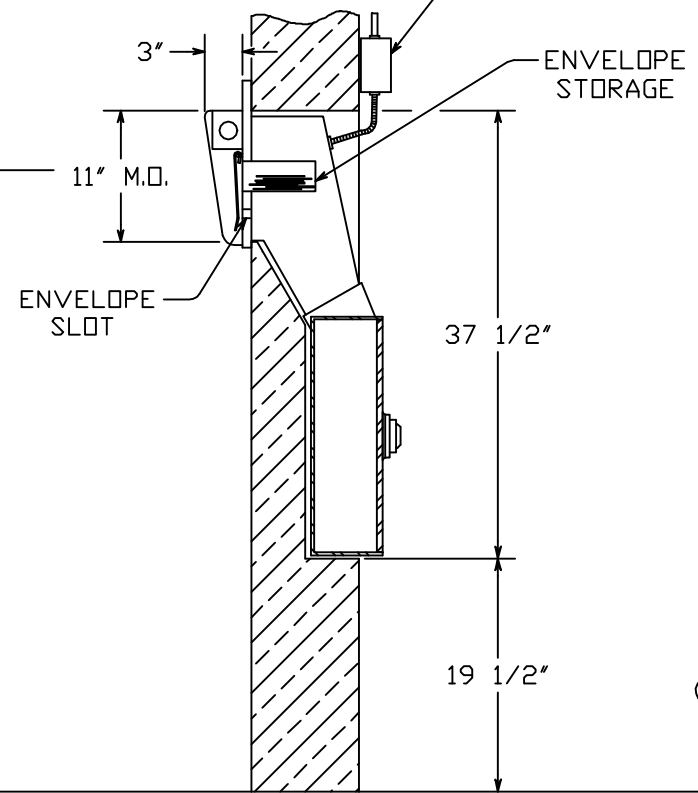
Rev - 1	1-18-93 CHGD LKR WIDTH.
Rev - 2	



PROVIDE 120V ~ 60 HZ ~ 15 AMP ELECTRICAL SERVICE FOR FLUORESCENT LIGHT FIXTURE (COWL LIGHT).



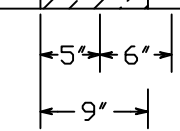
68-EF HEAD



LOCKER ~ PAINTED FINISH ~ INSTRUMENT TAN.

EXTERIOR

INTERIOR



SECTION

<b>HAMILTON SAFE</b>	
ENVELOPE DEPOSITORY MODEL 68-LD (68EF HEAD W/RECEIVING LOCKER)	
Drawing Number : 92-561	Date : 4-6-92